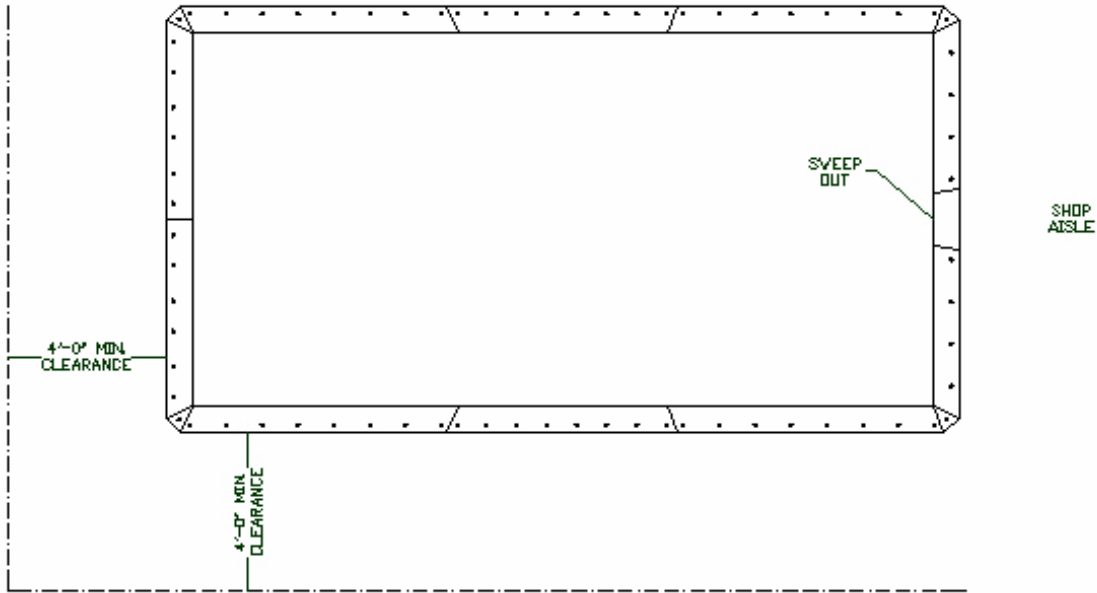


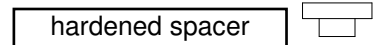
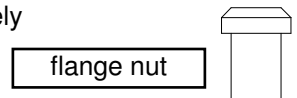
Concrete Specifications:

Depth: 4" minimum
 Strength Level: 3500psi minimum

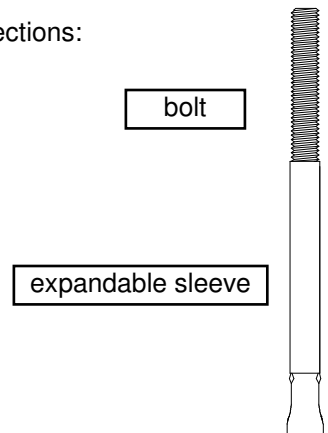
- Determine the location of your Kar Grabber Floor Track. Layout the track sections as illustrated below. Note the orientation of the long (20') and short (10') sides. Place the loading end with the 'sweep out section' towards the shop's aisle. There must be a minimum clearance of 4' around the perimeter of the track.



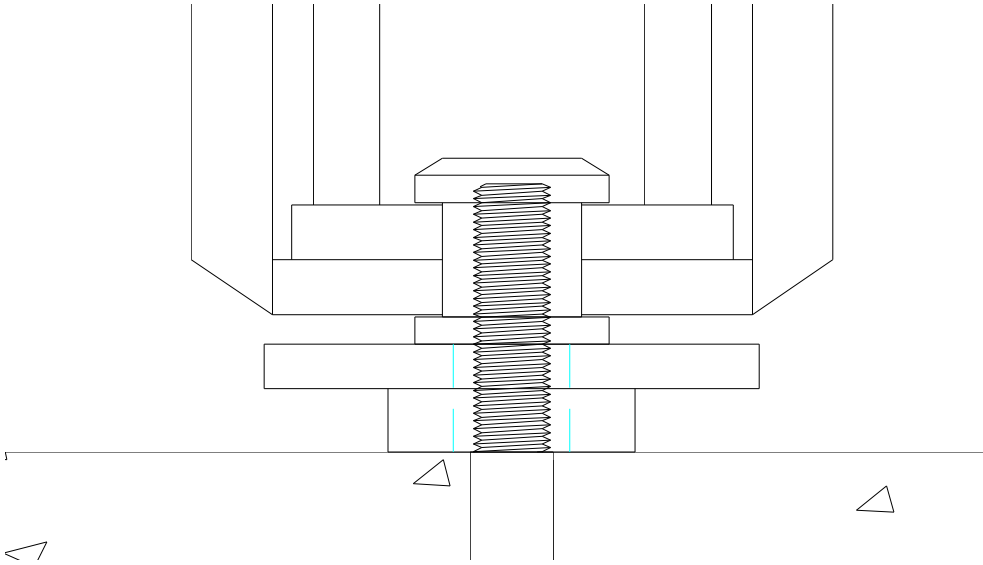
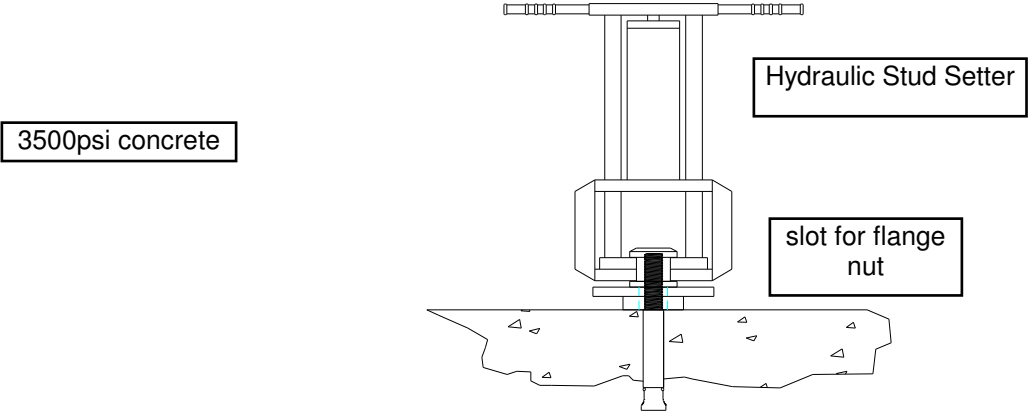
- Position and square the track. With the track sections in place, drill the 7/8" holes. The hole should be drilled through the concrete to allow the anchor to expand beneath the concrete. Periodically check tracks to maintain position. Most floor depths allow the bolts to pass completely through. However, the anchor bolt assembly can be safely imbedded in the concrete should the floor depth exceed the length of the bolt.



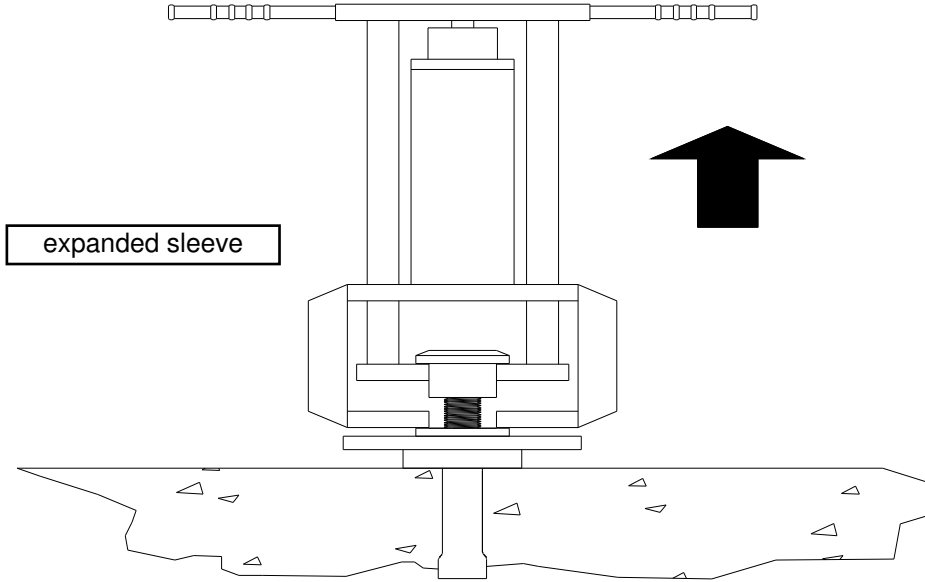
- After all holes are drilled, beginning with the center hole of one of the track sections:
 - place an expandable sleeve over a bolt
 - follow with a hardened spacer
 - attach the flange nut
 - place anchor bolt assembly into the hole



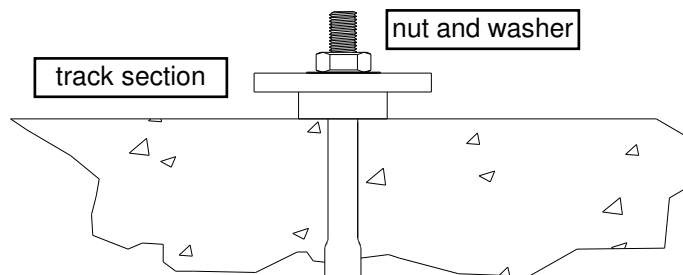
- Position the Hydraulic Stud Setter so that the flange nut fits into the slot in the lower end of the Stud Setter



- The anchor is expanded by activating the ram on the Stud Setter. The anchor has completely expanded under the concrete when the ram is near stalling. **Do not overpull!**

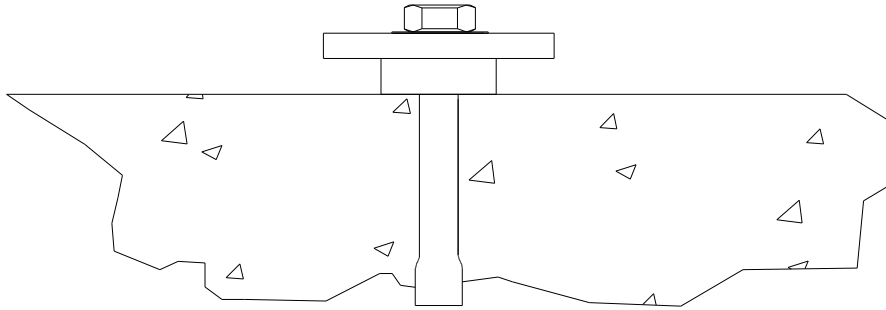


- Release the pressure on the ram. Remove the Stud Setter, flange nut and hardened spacer.
- Install a 5/8" washer and a 5/8" hex nut onto the bolt and tighten to 80ft lbs.

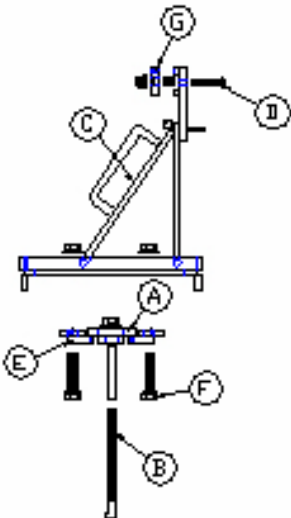
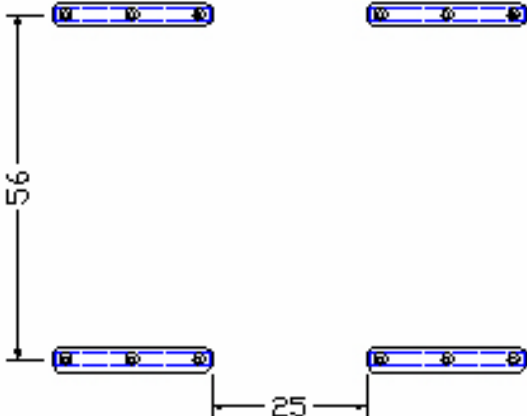


- Repeat process for each track section.
- The excess anchor stud can be trimmed flush with the nut. Use a cutting tool then grind the stud to remove any burrs.

cut and grind flush



- Use the same installation procedure for installing the center tracks.
- Determine the location of your Kar Grabber Center Tracks. Layout the track sections as illustrated below. Note that the 56" dimension is from center to center and the 25" dimension is from edge to edge.



ITEM	PART #	DESCRIPTION	QTY
A	1471	30" CENTER TRACK	4
B	1500	ANCHOR BOLT ASSEMBLY	12
C	6040	G94 COLLAPSIBLE CLAMP (set of 4)	1
D	6050	PINCHWELD BOLT ASSEMBLY (set of 16)	1
E	6031	TRACK TIE-DOWN ASSEMBLY	16
F	9999	3/4" x 3" BOLT ASSEMBLY	16
G	4216	BAR w/NAILS	8

